



Vehicle History Report

VEHICLE DETAILS

Chassis number ¹: VMG-003957

Manufacture date: 2014-07

Make: SUBARU

Model: LEVORG

Body: DBA-VMG

Grade: 2.0GT-S EYE SIGHT

Engine: FA20

Drive: 4WD

Transmission: AT

Title information ²:



Deregistered to Export



Accident / Repair:



No problem



Odometer rollback:



No problem



Manufacturer recall:



No problem



Safety grade ³:



★★★★★



Contamination risk:



No problem



This CAR VX Vehicle History Report is based only on Information supplied to CAR VX, LTD and available as of 2026-05-31 21:04:36. Other information about this vehicle, including problems, may not have been reported to CAR VX, LTD . Use this report as one important tool, along with a vehicle inspection and test drive, to make a better decision about your next used car.

ACCIDENT / REPAIR HISTORY

Problem type	Reported	Date reported	Data source	Details	Airbag
Collision	Not reported				
Malfunction	Not reported				
Theft	Not reported				
Fire damage	Not reported				
Water damage	Not reported				
Hail damage	Not reported				

ODOMETER READINGS HISTORY

Date reported	Data source	Odometer reading (Km)
2021-01-27	CAA Kyoyuu	36200
2023-06-09	MLIT	36400
2025-06-16	MLIT	49300
2026-04-28	USS Yokohama	51706
2026-05-14	USS Tokyo	51708

USE HISTORY


Use in the contaminated regions ⁴	Radioactive contamination test fail ⁵	Commercial use
Not reported	Not reported	Not reported

DETAILED HISTORY

Event date	Location	Odometer reading (Km)	Data source	Details
2014-07			SUBARU	Manufactured
2014-07			MLIT	First registration
2021-01-27		36200	CAA Kyoyuu	Auctioned

2023-06-09		36400	MLIT	Inspection
2025-06-16	Kobe	49300	MLIT	Inspection
2026-04-28	Kanagawa	51706	USS Yokohama	Auctioned
2026-05-14	Chiba	51708	USS Tokyo	Auctioned
2026-05-18	Kobe		MLIT	Last registration

MANUFACTURER RECALL HISTORY

Date reported	Data source	Affected part	Details
 Not reported			

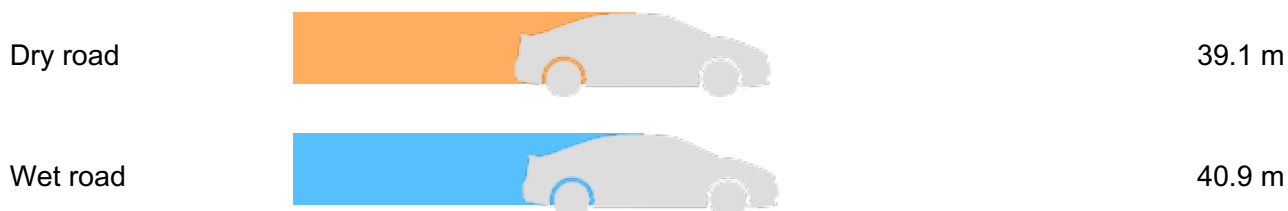
VEHICLE ASSESSMENT ⁶

Overall Collision Safety Ratings

Driver's seat			Front passenger's seat		
Points	Evaluation	Goal average	Points	Evaluation	Goal average
11.16	★★★★★	93%	9.81	★★★★	82%

* In order to accurately differentiate between the evaluations of different vehicles, a standard is set based on current technology. Up to 6 points out of 12 is given level 1 and the rest of the range is divided up into equal parts, which are respectively assigned to level 2 (more than 6 points but 7.5 or less), level 3 (more than 7.5 points but 9 or less), level 4 (more than 9 points but 10.5 or less) or level 5 (more than 10.5 points).

Braking performance tests ⁷



VEHICLE SPECIFICATION

1st gear ratio

2nd gear ratio

3rd gear ratio

4th gear ratio

5th gear ratio		6th gear ratio	
Additional notes		Airbag position, capacity	
Body rear overhang		Body type	WAGON
Chassis number embossing position		Classification code	1002
Cylinders		Displacement	1990
Electric engine type		Electric engine maximum output	
Electric engine maximum torque		Electric engine power	
Engine maximum power	300ps(221kW)/5600rpm	Engine maximum torque	40.8kg·m(400N·m)/2000~4800rpm
Engine model	FA20	Frame type	
Front shaft weight	960	Front shock absorber type	
Front stabilizer type		Front tires size	225/45R18
Front tread		Fuel consumption	
Fuel tank equipment	60	Grade	2.0GT-S EYE SIGHT
Height	144	Length	469
Main brakes type		Make	SUBARU
Maximum speed		Minimum ground clearance	
Minimum turning radius	5.5m	Model	LEVORG
Model code	DBA-VMG	Mufflers number	
Rear shaft weight	620	Rear shock absorber type	
Rear stabilizer type		Rear tires size	225/45R18
Rear tread	1540	Reverse ratio	
Riding capacity	5	Side brakes type	
Specification code	17725	Stopping distance	
Transmission type	AT	Weight	1580
Wheel alignment	4WD	Wheelbase	2650

AUCTION DATA

Date: 2021-01-27, Auction: CAA Kyouyuu, Lot #: 16976

Date:	2021-01-27	Lot #:	16976
Auction name:	CAA Kyouyuu	Region:	
Make:	SUBARU	Model:	LEVORG
Reg. year:	2014	Mileage (km):	36200
Displacement (cc):	2000	Transmission:	CVT
Color:	BLUE	Model code:	VMG
Result:	available	Auction grade:	4.5
Problem type:	No problem	Problem scale:	None
Contaminated:	No	Airbag:	OK

Date: 2026-04-28, Auction: USS Yokohama, Lot #: 30050

Date:	2026-04-28	Lot #:	30050
Auction name:	USS Yokohama	Region:	Kanagawa
Make:	SUBARU	Model:	LEVORG
Reg. year:	2014	Mileage (km):	51706
Displacement (cc):	2000	Transmission:	FA
Color:	BLUE	Model code:	VMG
Result:	available	Auction grade:	4.5
Problem type:	No problem	Problem scale:	None
Contaminated:	No	Airbag:	OK

Date: 2026-05-14, Auction: USS Tokyo, Lot #: 15051

Date:	2026-05-14	Lot #:	15051
Auction name:	USS Tokyo	Region:	Chiba
Make:	SUBARU	Model:	LEVORG
Reg. year:	2014	Mileage (km):	51708

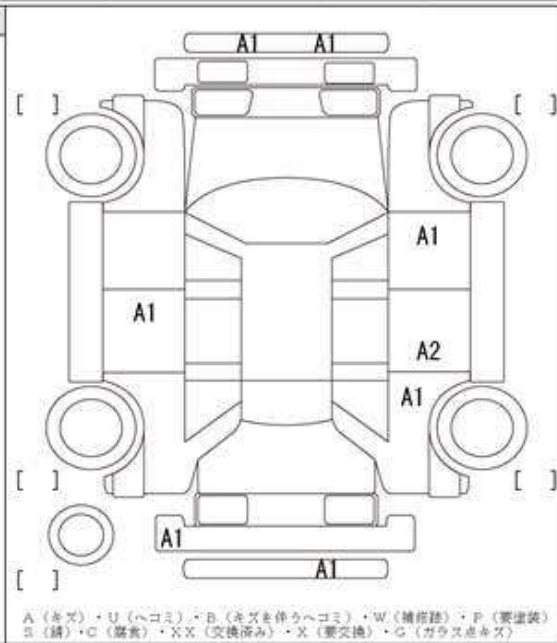
Displacement (cc):	2000	Transmission:	FA
Color:	BLUE	Model code:	VMG
Result:	available	Auction grade:	4.5
Problem type:	No problem	Problem scale:	None
Contaminated:	No	Airbag:	OK

PHOTOS AND AUCTION SHEETS

セゾンE ストックワンプライス掲載票

初度登録	車名			ドア形状	グレード			駆動	総合評価点
26年7月	レヴォーグ			5・W	2.0GT-S71サイト			4WD	
型式	排気量	燃料	車歴	定員(最大)	積載量(最大)	輸入車			
VMG	2,000 _{CC}	ガソリン	自家用	5名	Kg	年行*1			
ミッション	エアコン	カラーNo.	外装色	装備			保証書	取説	内装評価
CVT	AAC	E8H	アオ	PS ナビ	PW TV	I7B アルミ	ABS	有	B
走行距離	車検	登録ナンバー		ほか装備		車台番号	預託金		
36,200 _{km}	3年7月	姫路300φ9124				003957	13,610円		

セールスポイント	特記事項・不具合箇所
純正AW 純正nabi_tv バックカメラ パワースーツ ETC スマートキー	外装薄キス ルーム内装薄キス シートアタック ホイールキス
注意事項	





国産プライムコーナー

30050	車種 (国産車/輸入車)	年式	型式	排気量
	2000	DBA-VMG	4.5	
初年度登録年月	車名	グレード	駆動	
H26/7月	スバル	2. DGT-Sアイサイト	4WD	
	レヴォーグ			

車検	R9年 6月 15日	シフト	FAT	燃費	SH	MPG	PS	PI
走行	51,706 km	冷房	AAC	セルスモーク	有	有	有	有
外色	ブルー	カラー	E8H	☆ユーザー買取車!!				
燃料	ガソリン	内装色	ブラック	☆過渡式クルコン☆パドルシフト				
輸入国	日本	輸入月		☆トノカバー☆フォグラブ				
		ハンドル		☆LEDヘッドライト☆LEDライナー				

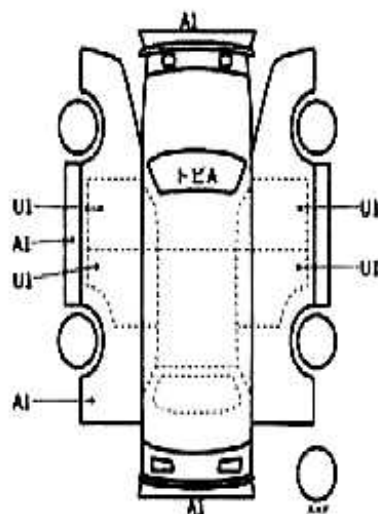
リサイクル料	13,610円	乗車定員	5人	登録地	横浜	306	な	1791

○注意事項 (※車・不具合等ありの点)

- ☆ハーフレザーシート☆ダイヤトーンナビ☆フルセグTV
- ☆バックカメラ☆アイサイトVer.3
- ☆横滑り防止装置☆社外マフラー

※型式指定番号: 17725 種別区分番号: 1002
 ※保証書・取扱説明書・スペアキー・B-CASカード
 ※地図SD・音楽SD

- 付属品
- ルーム内キズ
 - シートシワ
 - ホイールキズ



BOX

【両内寸】	X	X	(mm)
長さ	469 mm	幅	178 mm
		高さ	144 mm

東京フレッシュコーナー

15051	車種 (車検用以外は記入)	排気量	型式	4.5
		2000	DBA-VMG	
	初年度登録年月 H26/7月	車名 スバル レヴォーグ	グレード 2.0GT-Sアイ サイト	駆動 4WD
				内装 B

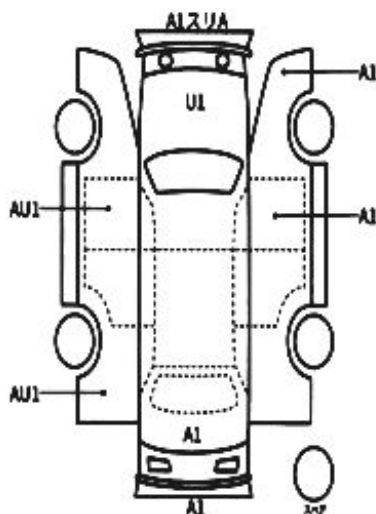
車検	年月日	シフト	FAT	SR	純音	PS	PI
走行	51,708 km	冷房	AAC	カワ	TV	ナビ	エア
外色	ブルー	カラー	E8H	セールスポイント			
燃料	ガソリン	内装色		ダイアトーンナビ			
輸入区分		輸入年月		バックカメラ			
				アイサイトVER.3			
				LEDヘッドライト			
				LEDライナー			

リサイクル 標記金	13,610円	乗車定員	5人	登録地	
○注意事項 (詳細・不具合等はおよびお問い合わせ)				車台号	VMG-003957
社外マフラー ハーフレザー				シリアル	

※ナンバー抹消

○検査員報告

- 外品足廻り?
- シートスレシワ
- ホイールキズ
- 小キズ小凹



【乗台内寸】的	x	x	(cm)
長さ	469 cm	幅	178 cm
		高さ	144 cm

1 Chassis number – a unique identification number of the vehicle in Japan (same as VIN in the USA or Europe)

2 Title information:

Registered – qualified for driving in Japan

Deregistered Temporarily – not qualified for driving in Japan, usually a temporary title during the ownership change

Deregistered Completely – not qualified for driving in Japan, the vehicle is determined to be scrapped

Deregistered to Export – not qualified for driving in Japan, the vehicle is determined to be exported

3 Determining the overall collision safety performance evaluation – For the driver's seat, the results of the full-wrap frontal collision test, offset frontal collision test, and side collision test are added together and evaluated to 6 different levels. For the Frontal passenger's seat, the results of the full-wrap frontal collision test and the side collision test (results for the driver's or the front passenger's seat are used) are added together and evaluated to 6 different levels.

Regular vehicle inspection – All vehicles in Japan must undergo regular vehicle inspections (shaken). New cars need to be tested after three years, and then vehicles must be tested every two years thereafter. A vehicle inspection (shaken) is compulsory for all vehicles with an engine size over 250cc. It ensures that all vehicles on the road are properly maintained and safe to drive. The test also checks that vehicles have not been illegally modified; if they are found to have been modified, they are not allowed on the road.

4 Use in the contaminated regions – The Fukushima Daiichi nuclear disaster was a catastrophic failure at the Fukushima I Nuclear Power Plant on 11 March 2011, resulting in a meltdown of three of the plant's six nuclear reactors. As a result, some areas in the following prefectures were contaminated: Fukushima, Miyagi, Ibaraki, Tochigi.

5 Radioactive contamination test – radioactive contamination inspection that was started in July 2011 as a preventive measure for exporting contaminated vehicles from Japan. The inspection is being conducted since in all sea ports of Japan under the supervision of The Japan Harbor Transportation Association (JHTA).

MLIT – Ministry of Land, Infrastructure, Transport and Tourism.

6 Japan New Car Assessment Program – the Ministry of Land, Infrastructure, Transport and Tourism (MLIT) and the National Agency for Automotive Safety & Victims' Aid (NASVA) have taken measures for safety, one of which is to assess commercially available vehicles through a variety of safety performance tests and release the resulting information compiled into the "New Car Assessment Program". The objective of Japan New Car Assessment Program is to increase the use of safe automobiles by providing an environment in which users can easily select such vehicles. This also promotes the development of safer vehicles by automobile manufacturers. Neck injury protection for rear-end collision performance test, rear seat passenger's protection for frontal collision performance test, rear passenger's seat belt usability evaluation test and seat belt reminder for passengers evaluation test are started in FY2009.

7 Braking Performance Tests – Braking performance is determined by the shortness of the distance in which a vehicle can stop and the stability of the vehicle at the time of braking. This test is performed under wet and dry road conditions for a vehicle which has both a driver and a front passenger. The distance it takes for the vehicle to stop and the stability of the vehicle at the time of braking is evaluated for when the vehicle is stopped abruptly while traveling at a speed of 100km/h. The stopping distance and vehicle speed have been measured by using GPS since FY2009.

THEREFORE, NO RESPONSIBILITY IS ASSUMED BY CAR VX, LTD OR ITS AGENTS FOR ERRORS OR OMISSIONS IN THIS REPORT. CAR VX, LTD FURTHER EXPRESSLY DISCLAIMS ALL WARRANTIES, EXPRESSED OR IMPLIED, INCLUDING ANY IMPLIED WARRANTIES OF MERCHANTABILITY OR FITNESS FOR A PARTICULAR PURPOSE.

© 2014-2026 Car VX Limited. All rights reserved.